



P.O. Box 22326
Lincoln, NE 68542

PF: 402/421-9464 | WEBSITE: www.sitescapesonline.com
FX: 402/421-9479 | E-MAIL: info@sitescapesonline.com

TITLE *CITYVIEW
TRASH RECEPTACLE*

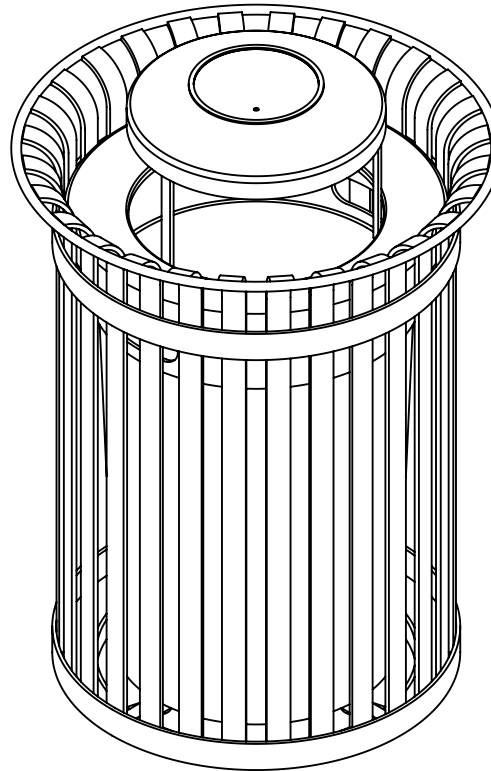
PRODUCT NO.
CV2-1002

INCH TOLERANCES U.O.S.

FRACTION-- $\pm 1/16"$
ANG----- $\pm 1^\circ$

THE INFORMATION CONTAINED IN THIS DRAWING IS THE SOLE PROPERTY OF SITESCAPES, INC. ANY REPRODUCTION IN PART OR AS A WHOLE WITHOUT THE WRITTEN PERMISSION OF SITESCAPES, INC. IS PROHIBITED.

*Available in powder coat and DuraCoat finishes





P.O. Box 22326
Lincoln, NE 68542

PF: 402/421-9464 | WEBSITE: www.sitescapesonline.com
FX: 402/421-9479 | E-MAIL: info@sitescapesonline.com

INCH TOLERANCES U.O.S.

FRACTION-- $\pm 1/16"$
ANG----- $\pm 1^\circ$

THE INFORMATION CONTAINED IN THIS DRAWING IS THE SOLE PROPERTY OF SITESCAPES, INC. ANY REPRODUCTION IN PART OR AS A WHOLE WITHOUT THE WRITTEN PERMISSION OF SITESCAPES, INC. IS PROHIBITED.

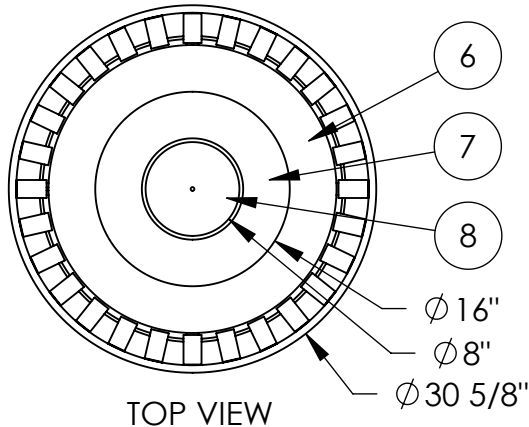
TITLE *CITYVIEW TRASH RECEPTACLE*

PRODUCT NO. *CV2-1002*

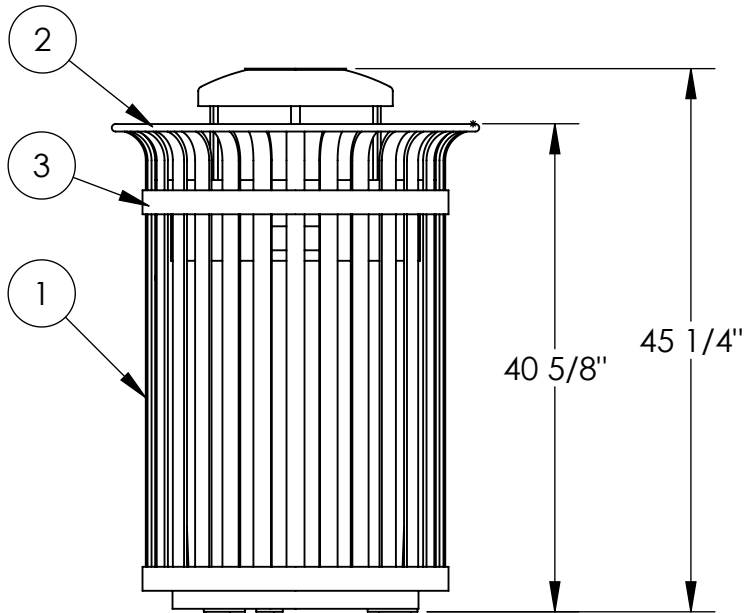
*Available in powder coat and DuraCoat finishes

Materials List

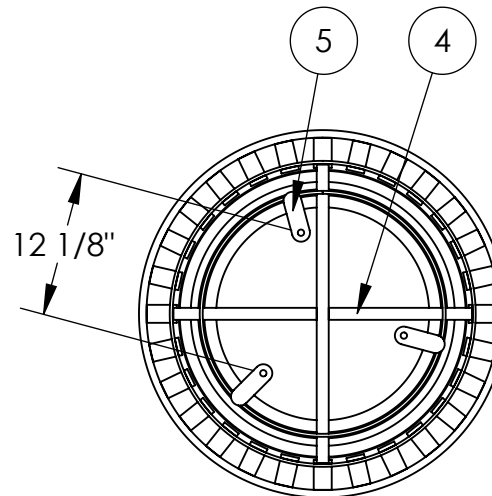
- (1) Vertical Straps - 5/16" x 1 1/2" Steel Flat Bar
- (2) Top Ring - $\phi 5/8"$ Steel Round Bar
- (3) Support Rings - 1/4" x 2" Steel Flat Bar
- (4) Support Bars - 1/2" x 1" Steel Flat Bar
- (5) Surface Mount Plates - 1/4" x 1 1/2" Stainless Steel Plate with 9/16" Mounting Hole
- (6) Lid - $\phi 24"$ x .075" Wall Steel Lid Attached to Basket with Stainless Steel Airline Cable
- (7) Dome - $\phi 16"$ x .105" Wall Steel Dome
- (8) Ash Inlay - 13 Ga. Stainless Steel Ash Inlay
- (9) Mounted with Three $\phi 1/2"$ x 4-5" Stainless Steel Anchor Bolts (Customer Supplied)
- (10) 40 Gallon Rigid Plastic Liner with Handles Included



TOP VIEW



FRONT VIEW



BOTTOM VIEW MOUNTING DETAIL

