



P.O. Box 22326
Lincoln, NE 68542

PF: 402/421-9464 | WEBSITE: www.sitescapesonline.com
FX: 402/421-9479 | E-MAIL: info@sitescapesonline.com

TITLE *AVONDALE
BACKED BENCH*

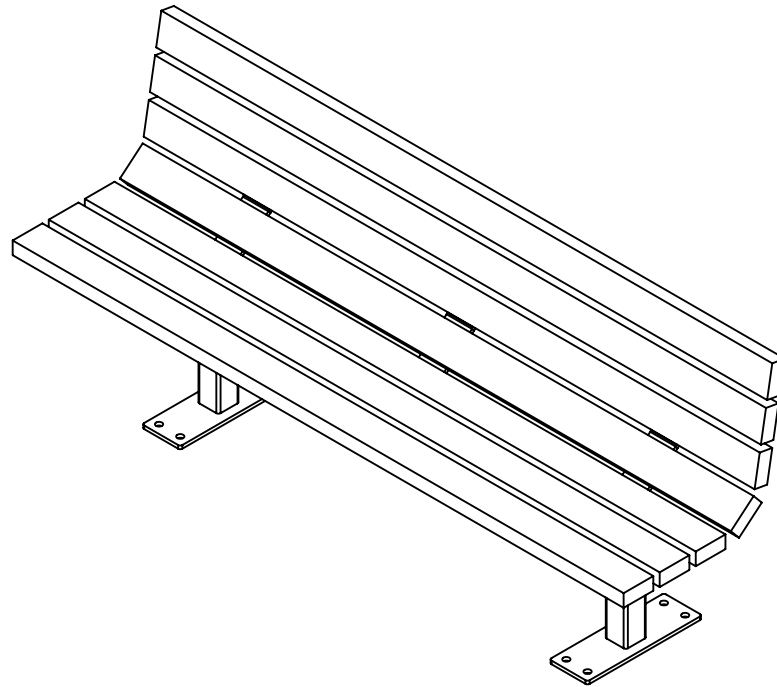
PRODUCT NO.
AV1-1020-RP

INCH TOLERANCES U.O.S.

FRACTION-- $\pm 1/16"$
ANG----- $\pm 1^\circ$

THE INFORMATION CONTAINED IN THIS DRAWING IS THE SOLE PROPERTY OF SITESCAPES, INC. ANY REPRODUCTION IN PART OR AS A WHOLE WITHOUT THE WRITTEN PERMISSION OF SITESCAPES, INC. IS PROHIBITED.

*Available in powder coat and DuraCoat finishes





P.O. Box 22326
Lincoln, NE 68542

PF: 402/421-9464 | WEBSITE: www.sitescapesonline.com
FX: 402/421-9479 | E-MAIL: info@sitescapesonline.com

INCH TOLERANCES U.O.S.

FRACTION-- $\pm 1/16"$
ANG----- $\pm 1^\circ$

THE INFORMATION CONTAINED IN THIS DRAWING IS THE SOLE PROPERTY OF SITESCAPES, INC. ANY REPRODUCTION IN PART OR AS A WHOLE WITHOUT THE WRITTEN PERMISSION OF SITESCAPES, INC. IS PROHIBITED.

TITLE
*AVONDALE
BACKED BENCH*

PRODUCT NO.
AV1-1020-RP

*Available in powder coat and DuraCoat finishes

MATERIALS LIST

- (1) Seat - Nominal 2 x 4 Recycled Plastic Slats
- (2) Supports - 2 1/2" Square Steel Tubing with 3/8" x 3" Steel Seat Supports and 3/8" Thick Stainless Steel Mounting Plate
- (3) Mounted with Eight $\phi 1/2"$ x 4-5" Stainless Steel Anchor Bolts (Customer Supplied)

